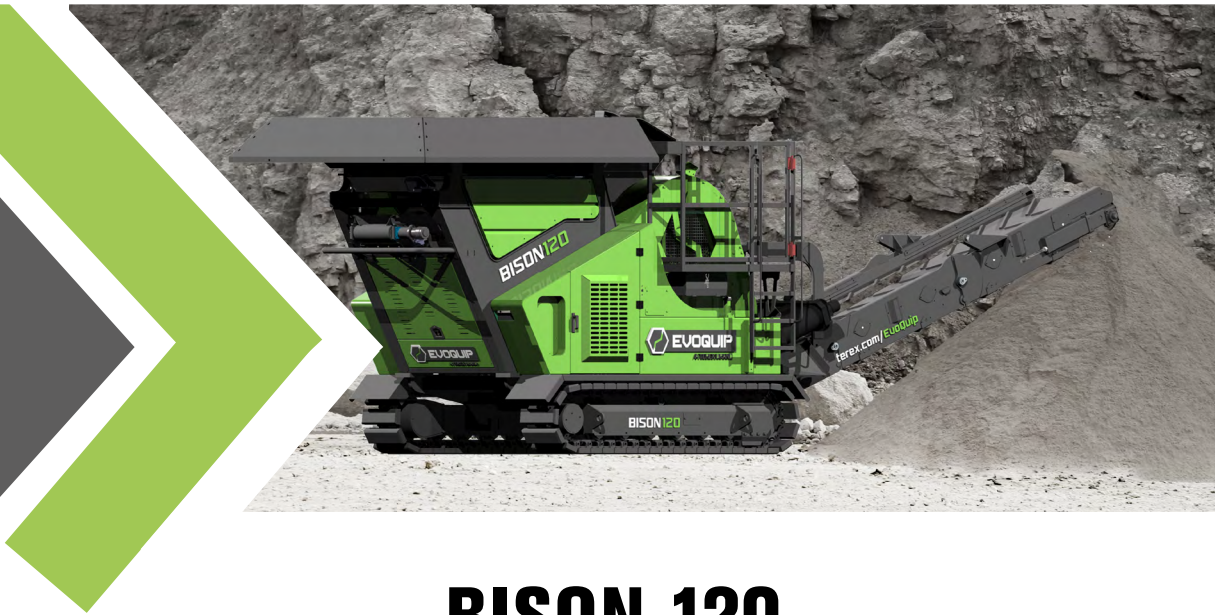




A TEREX BRAND

Technical Specification



## BISON 120

Jaw Crusher



**EMERALD**  
EQUIPMENT SYSTEMS INC.

# BISON 120

## HOPPER

- Hopper Capacity: 2.3m<sup>3</sup> (3yd<sup>3</sup>)
- Hopper width at rear: 1.56m (5' 1")
- Hopper length: 2.4m (7' 10")
- Hopper loading height: 2.69m (8' 10")
- Two stage grizzly cassette
- Cassette Aperture: 20mm-30mm (2/4" - 1 1/4") (variable aperture)
- Variable Speed

## JAW CRUSHER

- Jaw Width: 680mm (27")
- Jaw Gape: 400mm (16")
- CSS Range: 20mm (3/4") to 80mm (3 1/4")
- Jaw CSS adjusted directly from Remote Control
- Jaw can run in reverse for wet sticky applications
- Throughput Capacity:  
Up to 80tph/90 US tph depending on CSS

## PRODUCT CONVEYOR

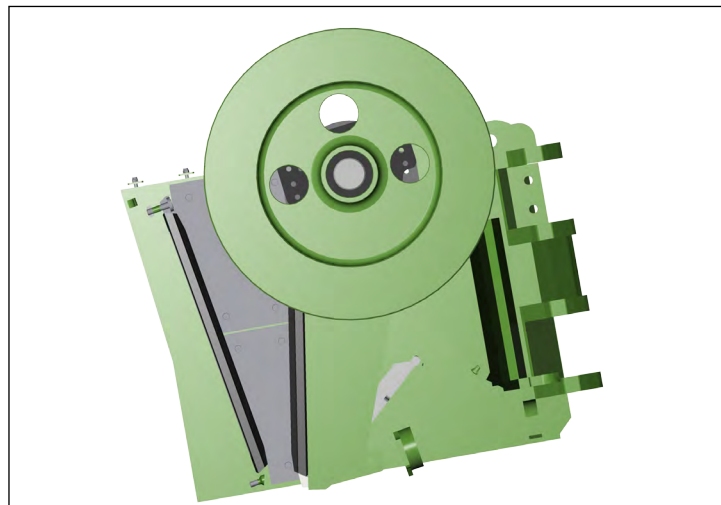
- Discharge Height: 1.9m (6'2")
- Belt Width: 800mm (32")
- Belt Type: Chevron

## POWERUNIT

- Tier 3**
- Engine Type: Isuzu 4JJ1T
- Engine Power: 61kW / 83Hp
- Tier 4**
- Engine Type: Isuzu 4JJ1T
- Engine Power: 52kW / 70Hp
- Transmission: Hydraulic Drive to Crusher
- Hydraulic Tank Capacity: 200 L (52.8 US Gal)
- Fuel Tank Capacity: 200 L (52.8 US Gal)

## PAINT COLOUR

Graphite Grey (RAL 7024), Green (RAL 6018)



# BISON 120

## TRACKS

- Track Pitch: 2.75m (9')
- Shoe width: 400mm (16")
- Track Material: Rubber
- Track Speed: Slow Speed: 0.65 Km/hr
- Fast Speed: 1.3 Km/hr

## GENERAL

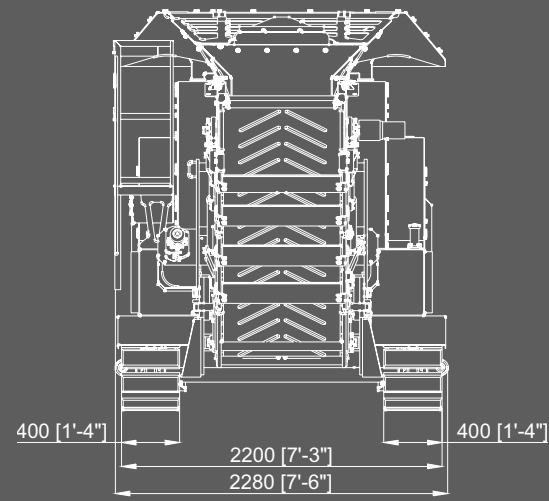
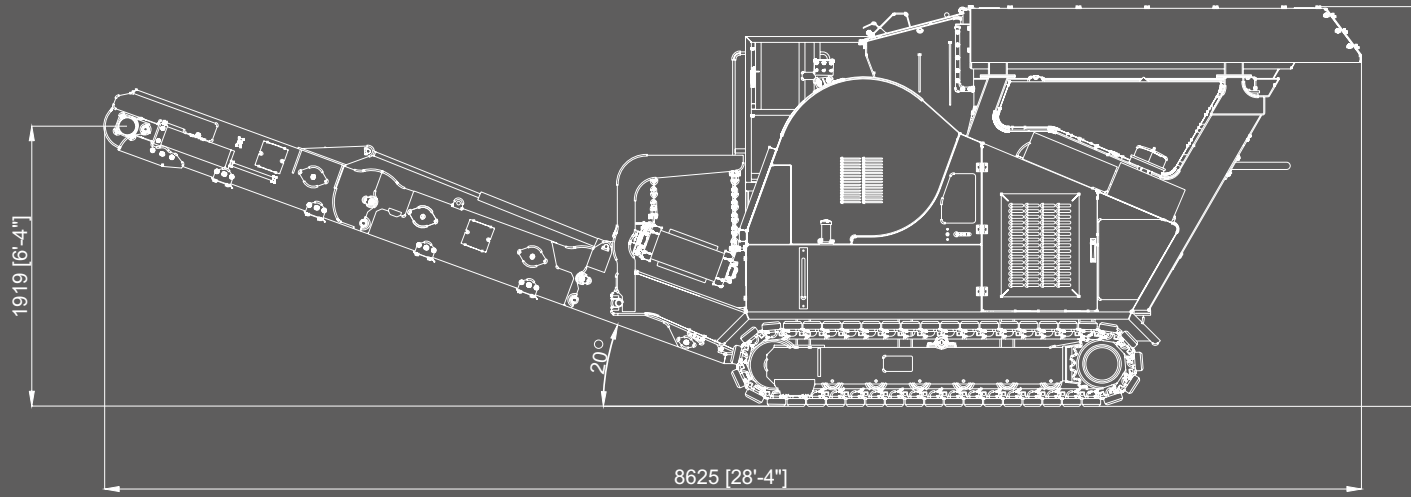
- Remote Control as standard for all functions
- Jaw Level Sensor as standard

## TRANSPORT

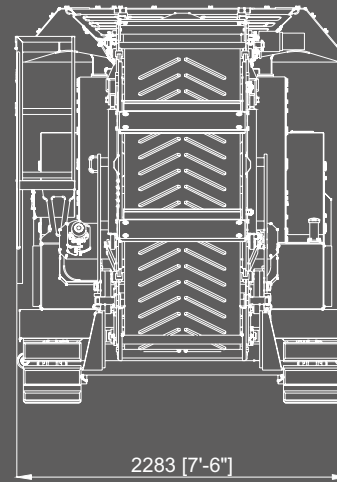
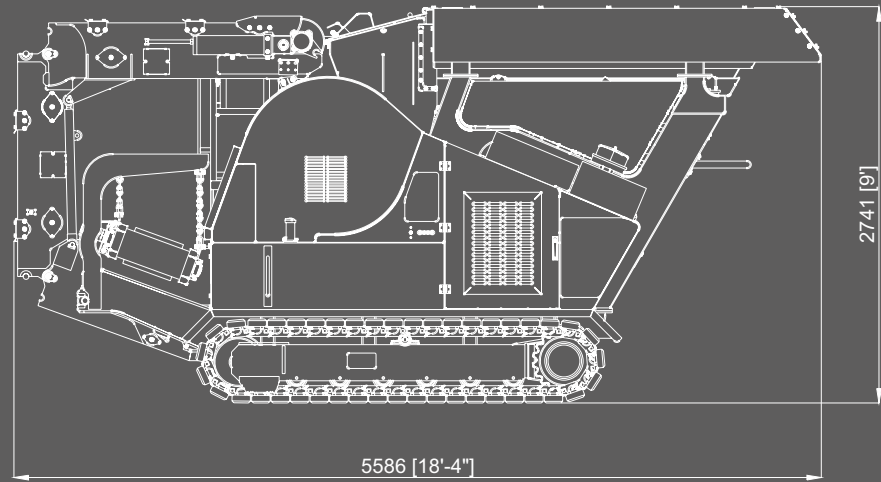
- Containerisable
- Track Unit - Length: 5.58m (18'4")
- Width: 2.28m (7'6")
- Height: 2.74m (9')
- Machine weight: 12mT (26,455lbs)



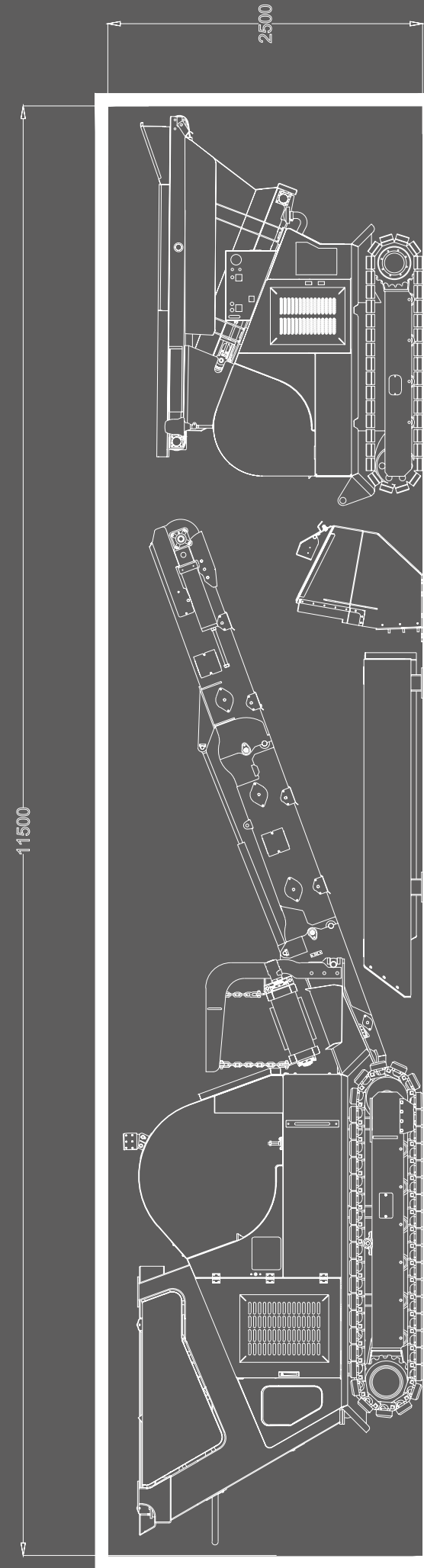
# WORKING DIMENSIONS



# TRANSPORT DIMENSIONS



# CONTAINER TRANSPORT SUGGESTION



EvoQuip equipment complies with CE requirements.

Please consult EvoQuip if you have any other specific requirements in respect of guarding, noise or vibration levels, dust emissions, or any other factors relevant to health and safety measures or environmental protection needs. On receipt of specific requests, we will endeavour to ascertain the need for additional equipment and, if appropriate, quote extra to contract prices.

All reasonable steps have been taken to ensure the accuracy of this publication, however due to a policy of continual product development we reserve the right to change specifications without notice.

It is the importers' responsibility to check that all equipment supplied complies with local legislation regulatory requirements.

Plant performance figures given in this brochure are for illustration purposes only and will vary depending upon various factors, including feed material gradings and characteristics. Information relating to capacity or performance contained within this publication is not intended to be, nor will be, legally binding.

Terex is a registered trademark of Terex Corporation in the United States of America and many other countries.

EvoQuip is a registered trademark of Terex GB Ltd in the United States of America and many other countries.

200 Coalisland Road  
Dungannon  
Co. Tyrone  
BT714DR  
Tel: +44 28 8771 8500  
Email: [evoquip@terex.com](mailto:evoquip@terex.com)  
[terex.com/EvoQuip](http://terex.com/EvoQuip)

© Terex Corporation 2016

Follow us:

